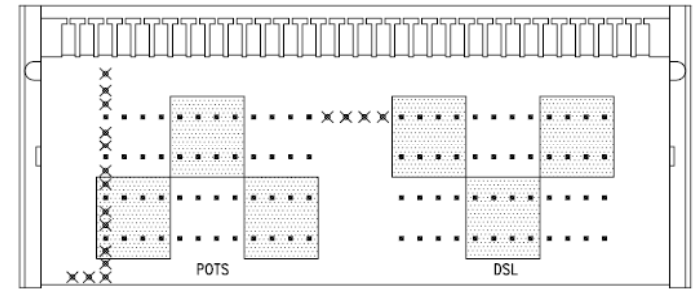
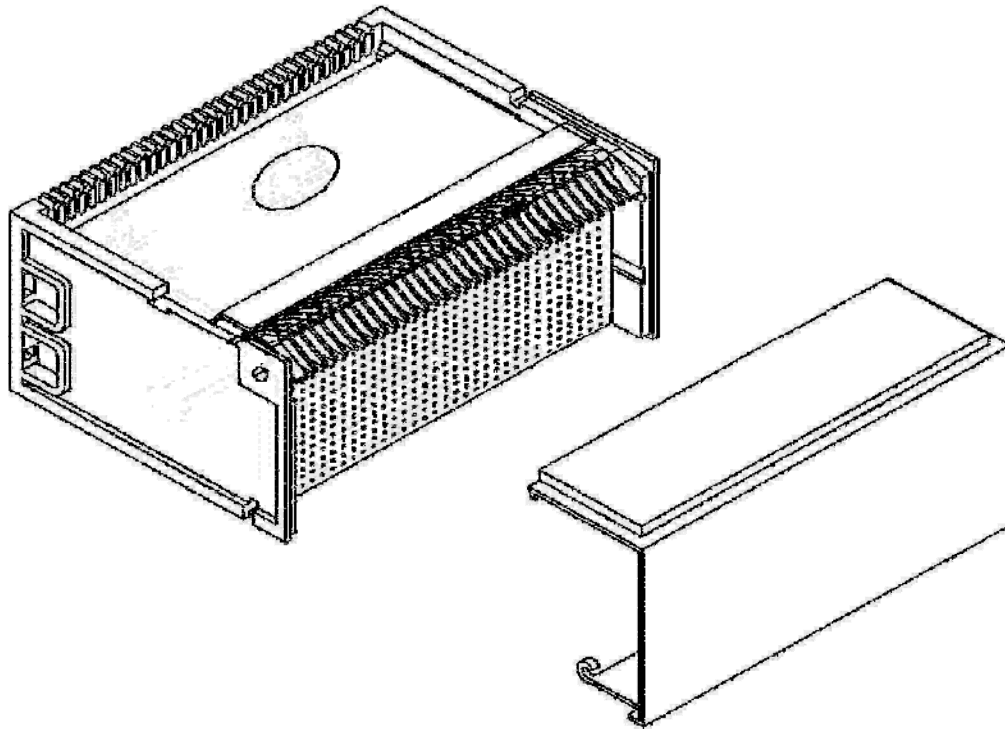
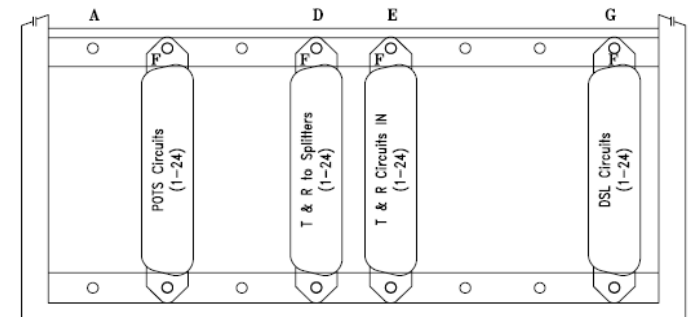


ULTIMATE 512 FR STYLE MDF DSL SPLITTER BLOCK
FR-0424-191-DSL-0

24 PAIR, FEMALE CONNECTORIZED DSL SPLITTER BLOCK



CONNECTOR PIN DESIGNATION



Connector D and E are Jumpers



DSL Splitter Specifications	
DC Current Capacity	100 mA
DC Resistance Open	> 100mOhms
DC Resistance (Shorted)	<20 Ohms
Capacitance	< 53 nF
Off Hook Insertion Loss @ 1004Hz	< 0.25 dB
Longitudinal Balance	> 70 dB
Stopband Attenuation(138kHz - 2.2mHz)	> 75 dB
RFI Attenuation	to 80 dB
Unit Pair count	Splits 24 Pairs

MDF Block Specifications	
Block Style	FR - TYPE 89
Pin Grid	4 by 24
Pairs	48
Contacts	96
Connector Style	50 Position Amphenol Style
Connector Gender	Female
Block Color	Black
Material	Fiber Reinforced Polycarbonate
Overall Dimensions:	7 7/8"
	3 1/2"
	5 5/8"

CSI Technologies Inc. Tel: 1-(877) 671-2218
 73 Daniel Webster Hwy. Fax: (603)524-3735
 Belmont, NH. 03837 Email: customerservice@gotocsitech.com
 USA

Notes
 1.- Actual throughput rates may vary depending on DSL configurations and subscriber loop conditions.
 2.- Protects HPN rates as described in T1E1.4/2001-221.